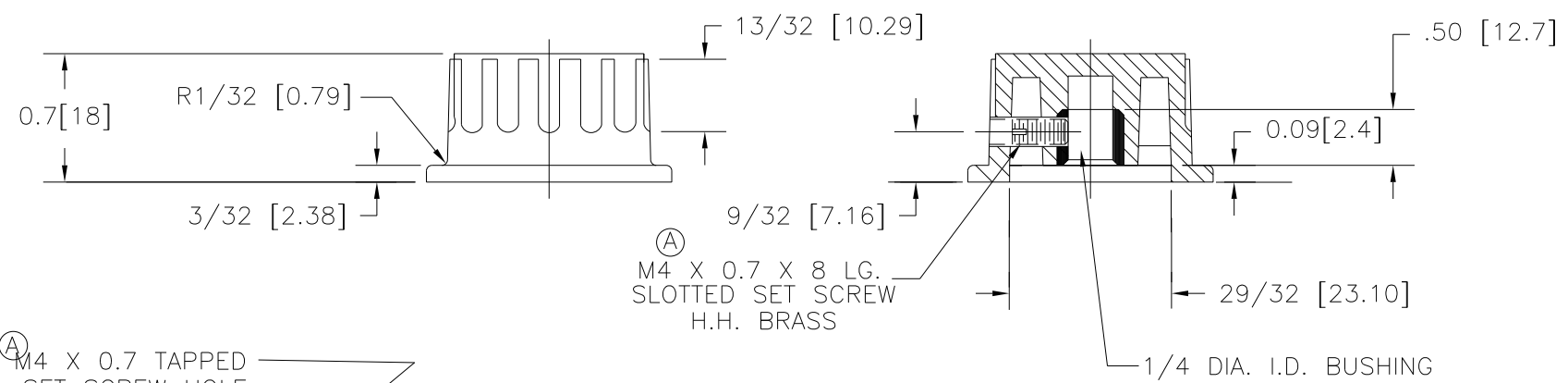
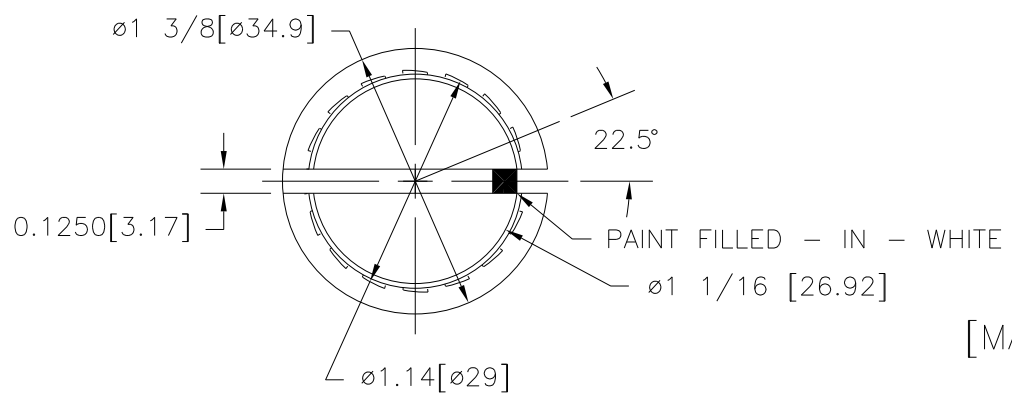
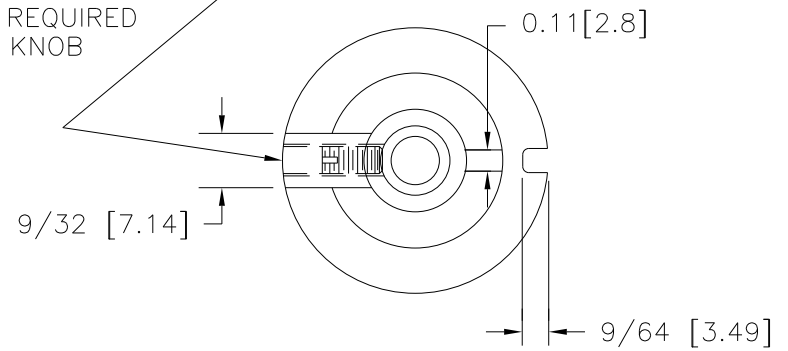


THIS DRAWING IS THE PROPERTY OF DAVIES MOLDING COMPANY, IS SUBMITTED SOLELY AS A DESIGN OR ENGINEERING PROJECT. WE ACCEPT NO RESPONSIBILITY WHATSOEVER FOR THE PRACTICAL APPLICATION OF THE PIECES MADE TO THIS DESIGN.



Ⓐ M4 X 0.7 TAPPED SET SCREW HOLE FULL TREAD REQUIRED IN BODY OF KNOB



MATERIAL : PHENOLIC  
COLOR : BLACK

TOLERANCES: UNLESS OTHERWISE SPECIFIED	DO NOT SCALE DRAWING	-	REMOVED ALTERNATE SET SCREW	JAM	8/6/01
		B	ALTERNATE WAS METRIC	JAM	6/5/01
		A	ADDED SET SCREW DETAIL AND ALTERNATE M4 METRIC SET SCREW	RF	7/7/98
DECIMALS: X.XXX ± .005 X.XX ± .015	MM: X.XX ± 0.15MM X.X ± 0.4MM				
FRACTIONS ± 1/64	ANG. ± 1°	CHANGES			