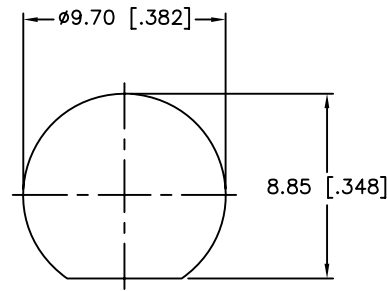
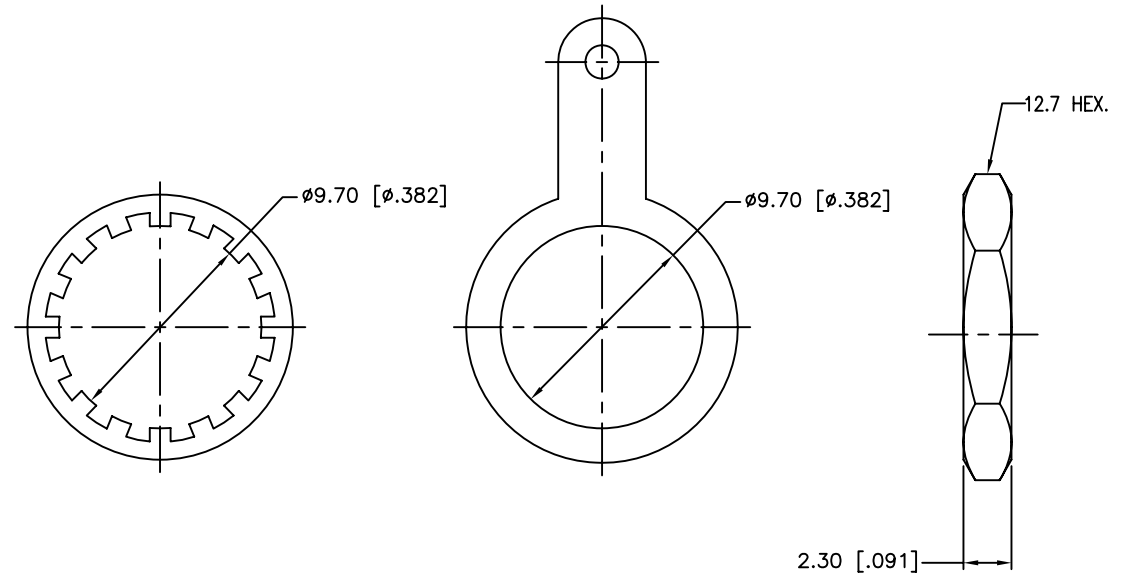
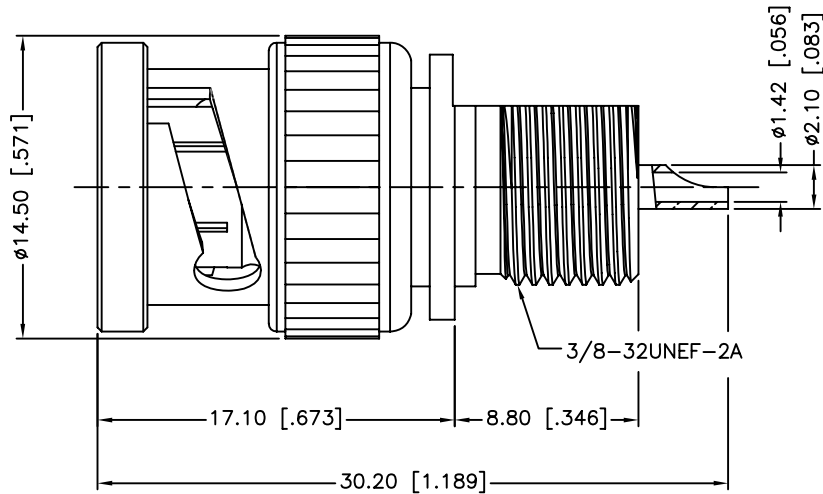


REV.	DATE	ECR NO.	DESCRIPTION
NC	03/10/01	XXXXXX	INITIAL RELEASE
A	11/16/05	XXXXXX	UPDATE DRAWING FORMAT
B	06/03/10	2057	THE MATERIAL OF INSULATOR WAS CHANGED TO PTFE & DELRIN



RECOMMENDED  
MOUNTING HOLE



				APPROVALS	DATE	<h1>Amphenol Connex</h1>			
				DRAWN M.ZHANG	06/03/10				
				CHECKED		<b>PART NO.</b> 112420			
				ISSUED					
				SHEET 1 OF 1		<b>REV.</b> B <b>SIZE</b> A <b>SCALE</b> NA			
				CAD FILE C:/CONNEX/112420.DWG					
				DO NOT SCALE DRAWING					

QTY	FINISH	MATERIAL	DESCRIPTION
1	NICKEL	BRASS	BODY
1	NATURAL	PTFE & DELRIN	INSULATOR
1	GOLD	BRASS	CONTACT PIN
1	NICKEL	BRASS	LOCK WASHER
1	NICKEL	BRASS	HEX NUT
1	NICKEL	BRASS	SOLDER TAG

UNLESS OTHERWISE SPECIFIED DIMENSIONS ARE IN MILLIMETERS. DIMENSIONS IN [ ] ARE IN INCHES AND FOR CUSTOMER REFERENCE ONLY.

UNLESS OTHERWISE SPECIFIED TOLERANCES FOR MILLIMETERS ARE:  
0.5 - 8mm ± 0.20mm  
8 - 30mm ± 0.40mm  
30 - 120mm ± 0.50mm

UNLESS OTHERWISE SPECIFIED TOLERANCES FOR INCHES ARE:  
.020 - .315 ± 0.007"  
.315 - 1.180 ± 0.015"  
1.180 - 4.724 ± 0.020"