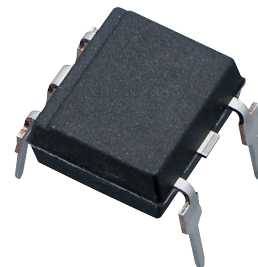


# PC3SD21NTZ Series

\*Non-zero cross type is also available.  
(PC3SD11NTZ Series)

$V_{DRM}$  : 600V  
Zero cross type  
DIP 6pin  
Phototriac Coupler for triggering



## ■ Description

**PC3SD21NTZ Series** Phototriac Coupler include an infrared emitting diode (IRED) optically coupled to an output Phototriac.

These devices feature full wave control and are ideal isolated drivers for medium to high current Triacs.

DIP package provides 5.0kV isolation from input to output with superior commutative noise immunity.

## ■ Features

1. High repetitive peak off-state voltage ( $V_{DRM}$  : 600V)
2. Zero crossing functionality ( $V_{OX}$  : MAX. 20V)
3.  $I_{FT}$  ranks available (see Model Line-up section in this datasheet)
4. 6 pin DIP package
5. Superior noise immunity ( $dV/dt$  : MIN. 1 000V/ $\mu$ s)
6. Double transfer mold construction (Ideal for Flow Soldering)
7. High isolation voltage between input and output ( $V_{iso(rms)}$  : 5.0kV)

## ■ Agency approvals/Compliance

1. Recognized by UL1577 (Double protection isolation), file No. E64380 (as model No. **3SD21**)
2. Approved by CSA, file No. CA95323 (as model No. **3SD21**)
3. Optionary available VDE Approved <sup>(\*)</sup>(DIN EN 60747-5-2), file No. 4008189 (as model No. **3SD21**)
4. Package resin : UL flammability grade (94V-0)

<sup>(\*)</sup> DIN EN60747-5-2 : successor standard of DIN VDE0884.  
Up to Date code "RD" (December 2003), approval of DIN VDE0884.  
From Date code "S1" (January 2004), approval of DIN EN60747-5-2.

<sup>(\*\*)</sup> Reinforced insulation type is also available.  
(PC3SF21YVZ Series)

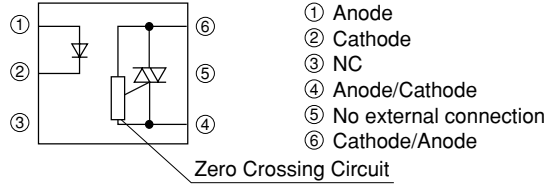
## ■ Applications

1. Triggering for Triacs used to switch on and off devices which require AC Loads.  
For example heaters, fans, motors, solenoids, and valves.
2. AC line control in power supply applications.

Notice The content of data sheet is subject to change without prior notice.

In the absence of confirmation by device specification sheets, SHARP takes no responsibility for any defects that may occur in equipment using any SHARP devices shown in catalogs, data books, etc. Contact SHARP in order to obtain the latest device specification sheets before using any SHARP device.

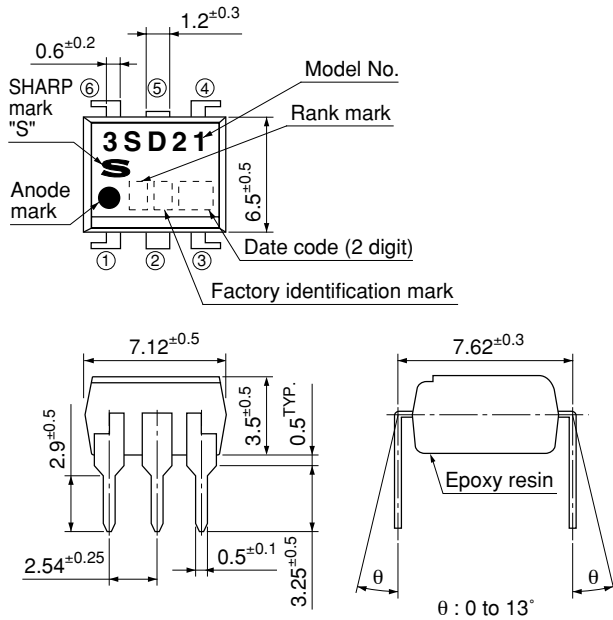
■ **Internal Connection Diagram**



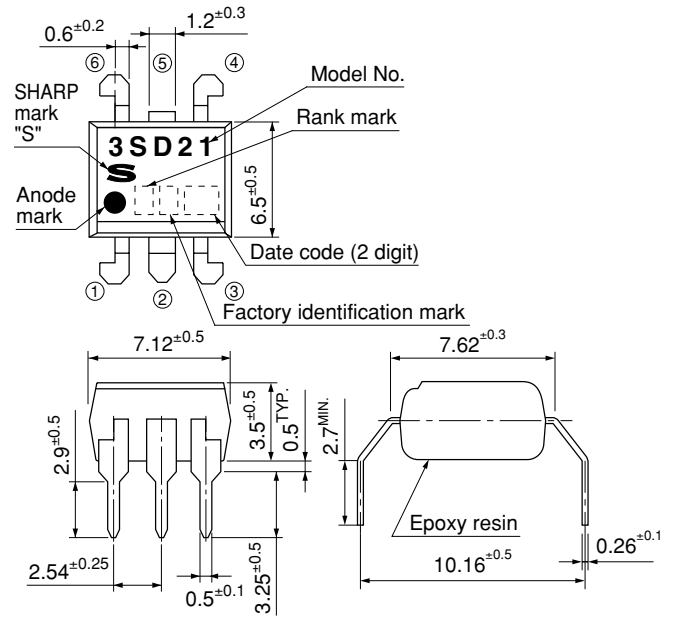
■ **Outline Dimensions**

(Unit : mm)

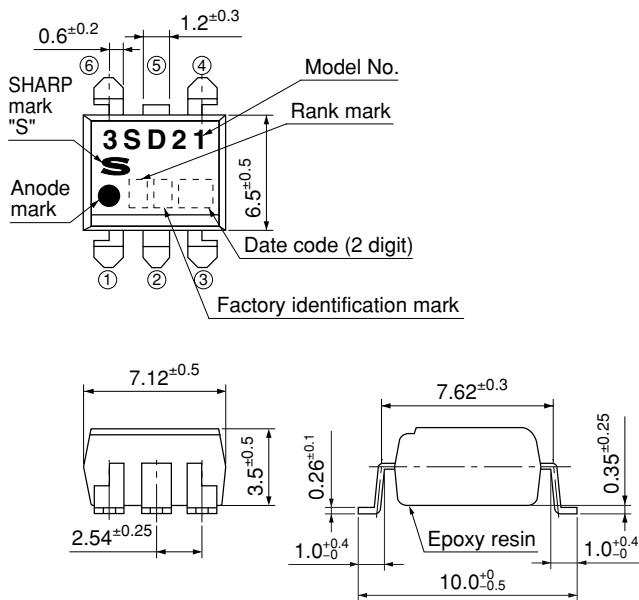
1. Through-Hole [ex. **PC3SD21NTZ**]



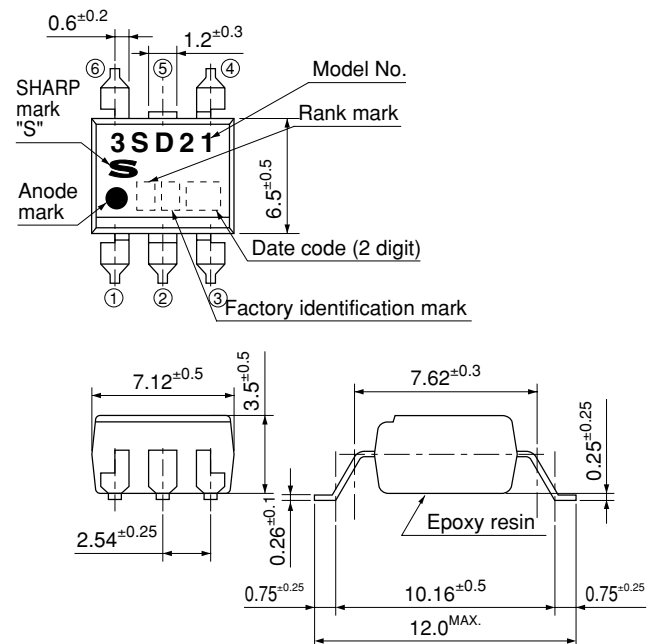
2. Wide Through-Hole Lead-Form [ex. **PC3SD21NVZ**]



3. SMT Gullwing Lead-Form [ex. **PC3SD21NXP**]



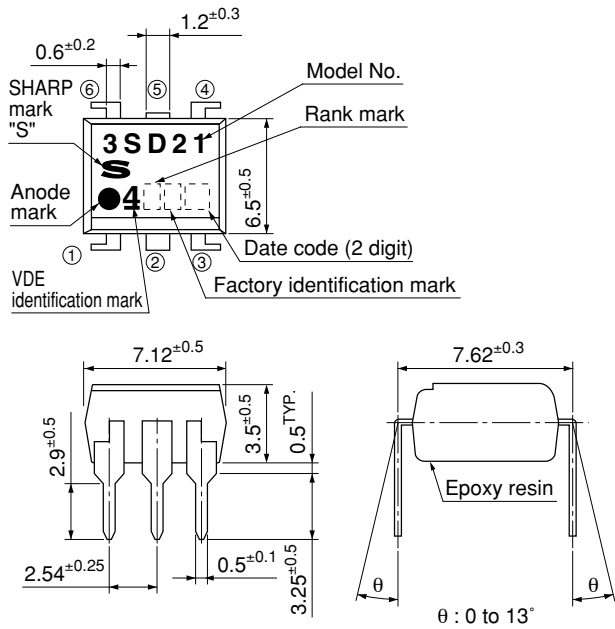
4. Wide SMT Gullwing Lead-Form [ex. **PC3SD21NWP**]



**■ Outline Dimensions**

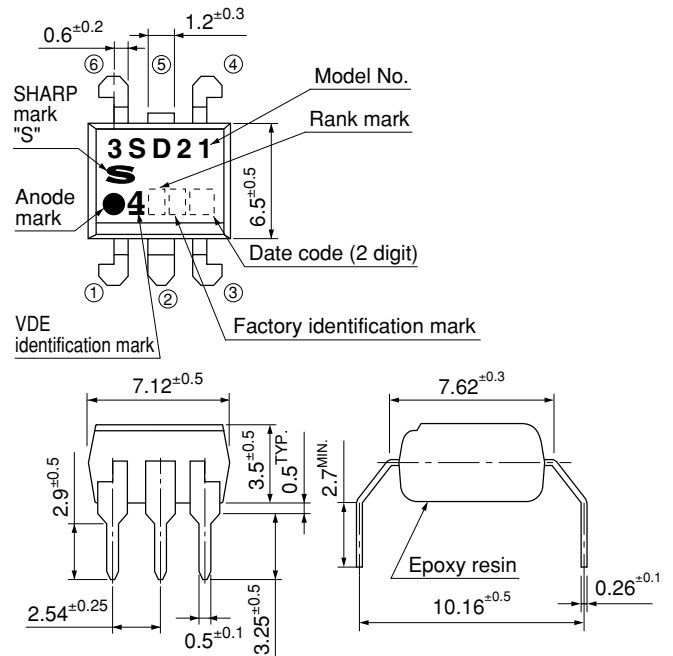
(Unit : mm)

**5. Through-Hole VDE option [ex. PC3SD21YTZ]**



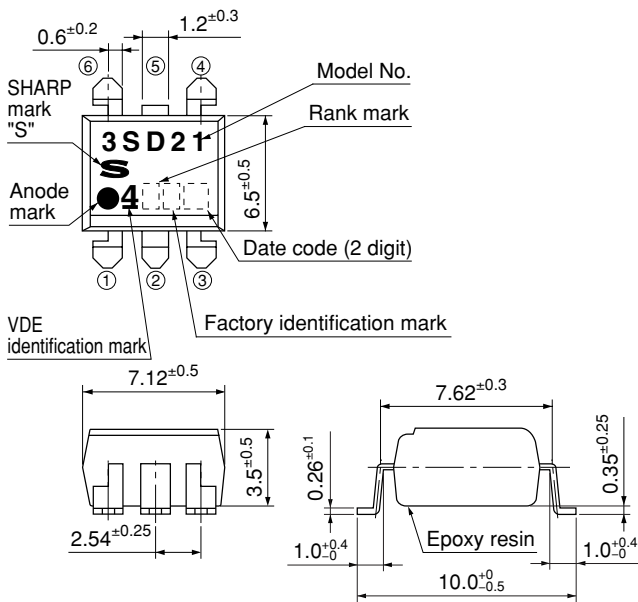
Product mass : approx. 0.35g

**6. Wide Through-Hole Lead-Form VDE option [ex. PC3SD21YVZ]**



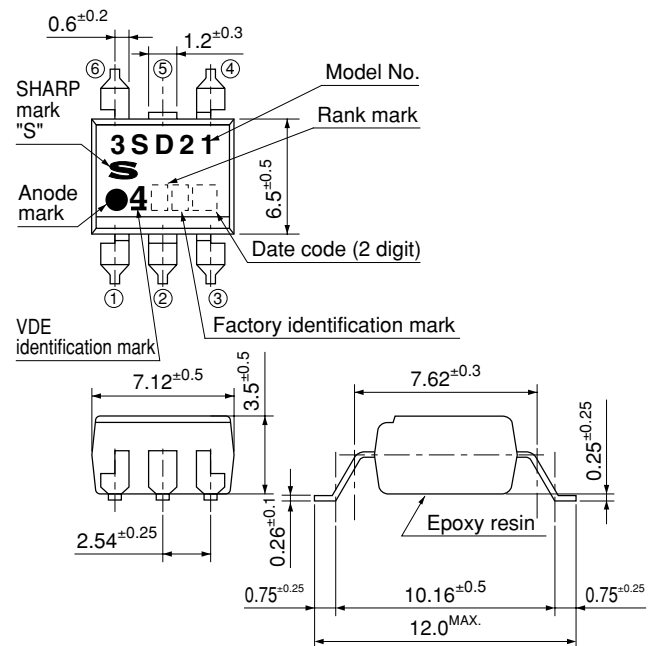
Product mass : approx. 0.35g

**7. SMT Gullwing Lead-Form VDE option [ex. PC3SD21YXP]**



Product mass : approx. 0.33g

**8. Wide SMT Gullwing Lead-Form VDE option [ex. PC3SD21YWP]**



Product mass : approx. 0.34g





\*Pin ⑤ is not allowed external connection

### Date code (2 digit)

1st digit				2nd digit	
Year of production				Month of production	
A.D.	Mark	A.D.	Mark	Month	Mark
1990	A	2002	P	January	1
1991	B	2003	R	February	2
1992	C	2004	S	March	3
1993	D	2005	T	April	4
1994	E	2006	U	May	5
1995	F	2007	V	June	6
1996	H	2008	W	July	7
1997	J	2009	X	August	8
1998	K	2010	A	September	9
1999	L	2011	B	October	O
2000	M	2012	C	November	N
2001	N	∴	∴	December	D

repeats in a 20 year cycle

### Factory identification mark

Factory identification Mark	Country of origin
no mark	Japan
	
	Indonesia
	Philippines
	China

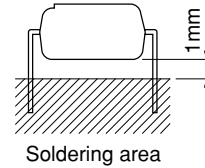
\* This factory marking is for identification purpose only.  
Please contact the local SHARP sales representative to see the actual status of the production.

### Rank mark

Refer to the Model Line-up table

## ■ Absolute Maximum Ratings (T<sub>a</sub>=25°C)

Parameter		Symbol	Rating	Unit
Input	Forward current	I <sub>F</sub>	50	mA
	Reverse voltage	V <sub>R</sub>	6	V
Output	RMS ON-state current	I <sub>T(rms)</sub>	0.1	A
	Peak one cycle surge current	I <sub>surge</sub>	1.2 <sup>*3</sup>	A
	Repetitive peak OFF-state voltage	V <sub>DRM</sub>	600	V
*1 Isolation voltage		V <sub>iso</sub> (rms)	5.0	kV
Operating temperature		T <sub>opr</sub>	-30 to +100	°C
Storage temperature		T <sub>stg</sub>	-55 to +125	°C
*2 Soldering temperature		T <sub>sol</sub>	270 <sup>*4</sup>	°C



\*1 40 to 60%RH, AC for 1minute, f=60Hz

\*2 For 10s

\*3 f=50Hz sine wave

\*4 Lead solder plating models: 260°C

## ■ Electro-optical Characteristics (T<sub>a</sub>=25°C)

Parameter		Symbol	Conditions	MIN.	TYP.	MAX.	Unit	
Input	Forward voltage	V <sub>F</sub>	I <sub>F</sub> =20mA	-	1.2	1.4	V	
	Reverse current	I <sub>R</sub>	V <sub>R</sub> =3V	-	-	10	μA	
Output	Repetitive peak OFF-state current	I <sub>DRM</sub>	V <sub>D</sub> =V <sub>DRM</sub>	-	-	1	μA	
	ON-state voltage	V <sub>T</sub>	I <sub>T</sub> =0.1A	-	-	2.5	V	
	Holding current	I <sub>H</sub>	V <sub>D</sub> =4V	0.1	-	3.5	mA	
	Critical rate of rise of OFF-state voltage	dV/dt	V <sub>D</sub> =1/√2 · V <sub>DRM</sub>	1 000	2 000	-	V/μs	
	Zero cross voltage	Rank B	V <sub>OX</sub>	I <sub>F</sub> =15mA, Resistance load	-	-	20	V
		Rank C		I <sub>F</sub> =8mA, Resistance load	-	-	-	-
Rank D		-		-	-	-	-	
Transfer characteristics	Minimum trigger current	Rank B	V <sub>D</sub> =4V, R <sub>L</sub> =100Ω	-	-	7	mA	
		Rank C		-	-	5		
		Rank D		-	-	3		
	Isolation resistance	R <sub>ISO</sub>	DC500V, 40 to 60%RH	5×10 <sup>10</sup>	10 <sup>11</sup>	-	Ω	
Turn-on time	t <sub>on</sub>	V <sub>D</sub> =4V, R <sub>L</sub> =100Ω, I <sub>F</sub> =20mA	-	-	50	μs		

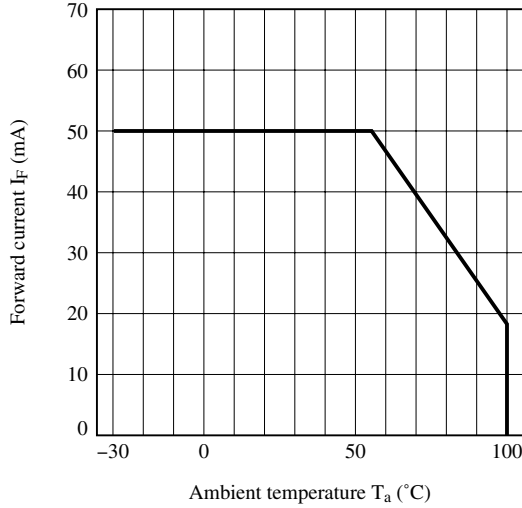
■ Model Line-up

Lead Form	Through-Hole		SMT Gullwing		Wide Through-Hole		Rank mark	I <sub>FT</sub> [mA] (V <sub>D</sub> =4V, R <sub>L</sub> =100Ω)
Shipping Package	Sleeve							
DIN	Approved		Approved		Approved			
EN60747-5-2	————	Approved	————	Approved	————	Approved		
Model No.	PC3SD21NTZBF	PC3SD21YTZBF	PC3SD21NXZBF	PC3SD21YXZBF	PC3SD21NVZBF	PC3SD21YVZBF	B	MAX. 7
	PC3SD21NTZCF	PC3SD21YTZCF	PC3SD21NXZCF	PC3SD21YXZCF	PC3SD21NVZCF	PC3SD21YVZCF	C	MAX. 5
	PC3SD21NTZDF	PC3SD21YTZDF	PC3SD21NXZDF	PC3SD21YXZDF	PC3SD21NVZDF	PC3SD21YVZDF	D	MAX. 3

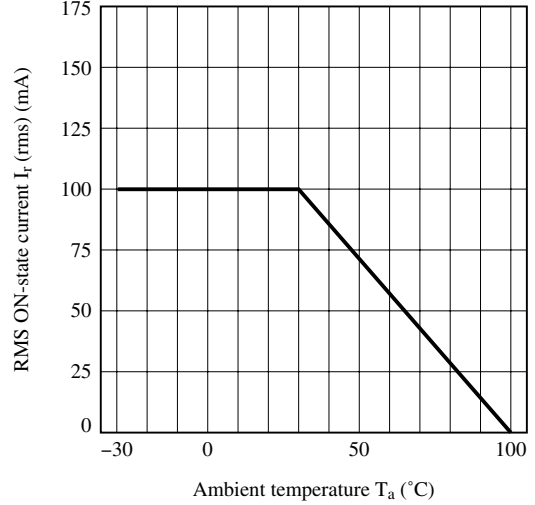
Lead Form	Wide SMT Gullwing		SMT Gullwing		Wide SMT Gullwing		Rank mark	I <sub>FT</sub> [mA] (V <sub>D</sub> =4V, R <sub>L</sub> =100Ω)
Shipping Package	Sleeve		Taping					
DIN	Approved		Approved		Approved			
EN60747-5-2	————	Approved	————	Approved	————	Approved		
Model No.	PC3SD21NWZBF	PC3SD21YWZBF	PC3SD21NXPBF	PC3SD21YXPBF	PC3SD21NWPBF	PC3SD21YWPBF	B	MAX. 7
	PC3SD21NWZCF	PC3SD21YWZCF	PC3SD21NXPCF	PC3SD21YXPCF	PC3SD21NWPCF	PC3SD21YWPCF	C	MAX. 5
	PC3SD21NWZDF	PC3SD21YWZDF	PC3SD21NXPDF	PC3SD21YXPDF	PC3SD21NWPDF	PC3SD21YWPDF	D	MAX. 3

Please contact a local SHARP sales representative to inquire about production status.

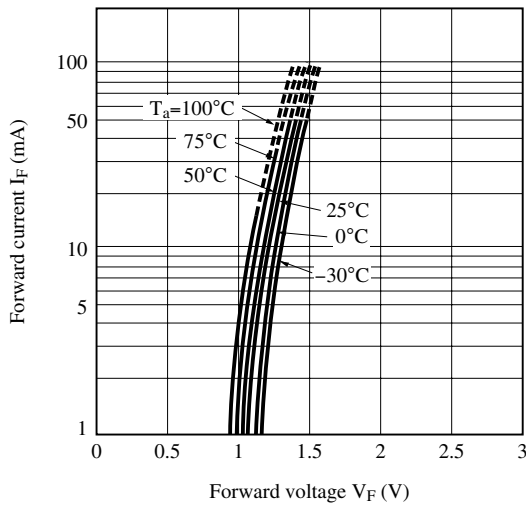
**Fig.1 Forward Current vs. Ambient Temperature**



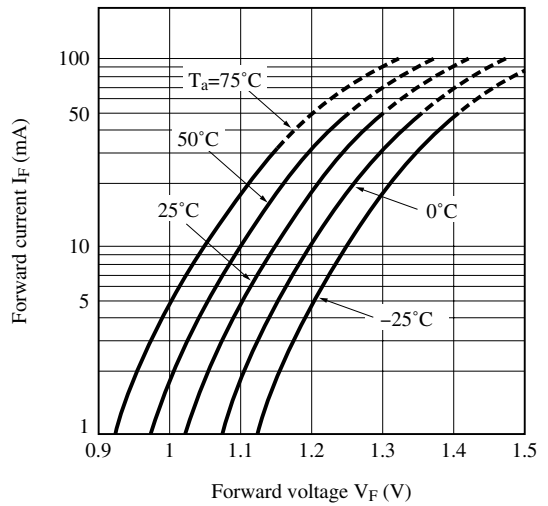
**Fig.2 RMS ON-state Current vs. Ambient Temperature**



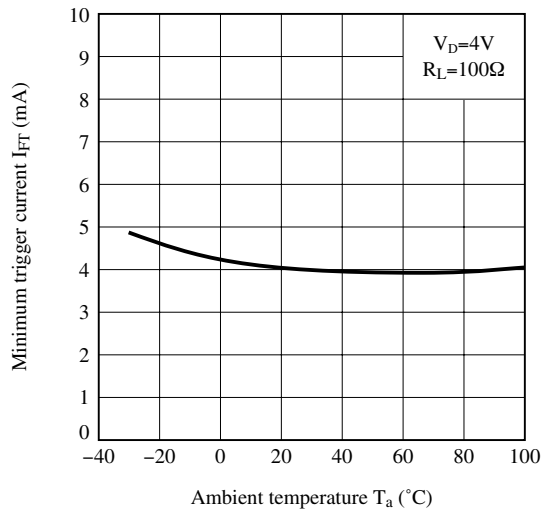
**Fig.3-a Forward Current vs. Forward Voltage (Rank B)**



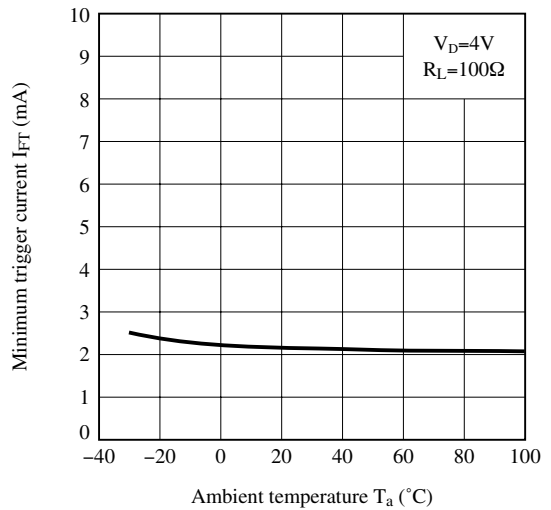
**Fig.3-b Forward Current vs. Forward Voltage (Rank C, Rank D)**



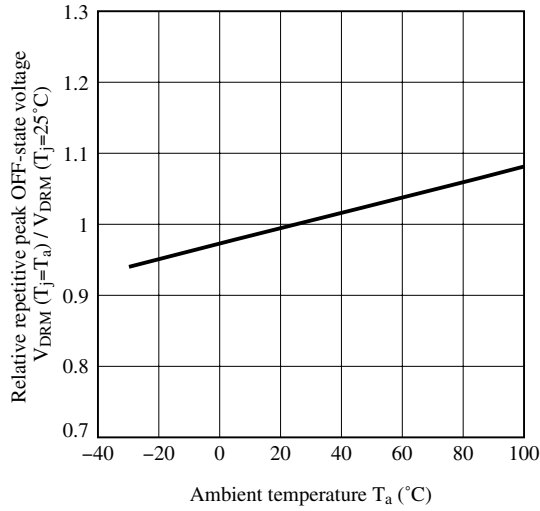
**Fig.4-a Minimum Trigger Current vs. Ambient Temperature (Rank B)**



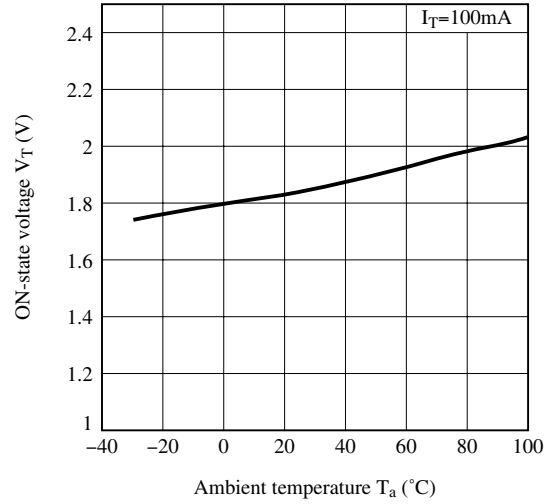
**Fig.4-b Minimum Trigger Current vs. Ambient Temperature (Rank C, Rank D)**



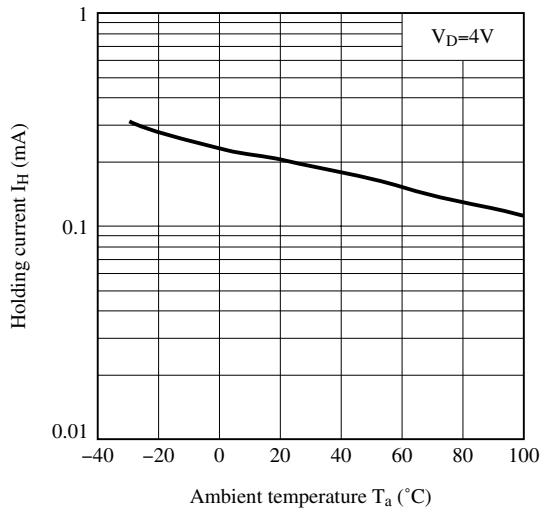
**Fig.5 Relative Repetitive Peak OFF-state Voltage vs. Ambient Temperature**



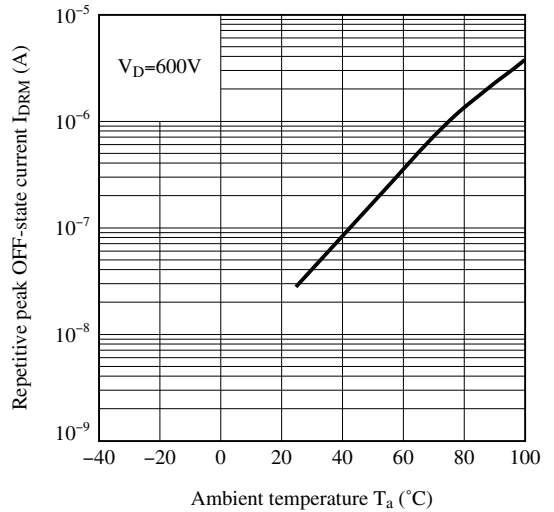
**Fig.6 ON-state Voltage vs. Ambient Temperature**



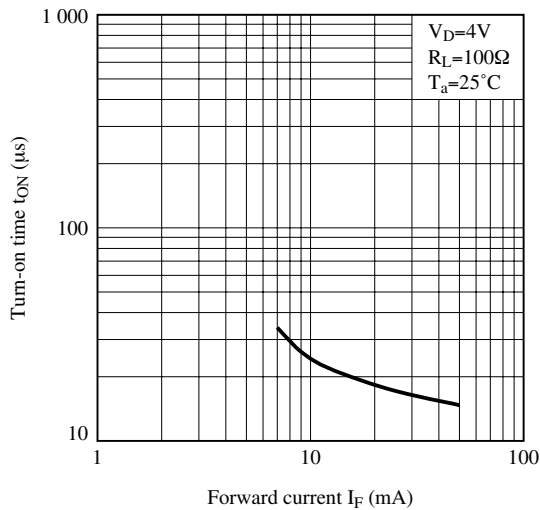
**Fig.7 Holding Current vs. Ambient Temperature**



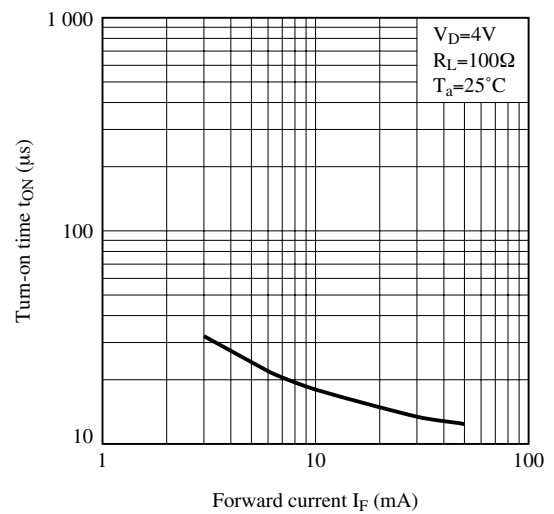
**Fig.8 Repetitive Peak OFF-state Current vs. Ambient Temperature**



**Fig.9-a Turn-on Time vs. Forward Current (Rank B)**

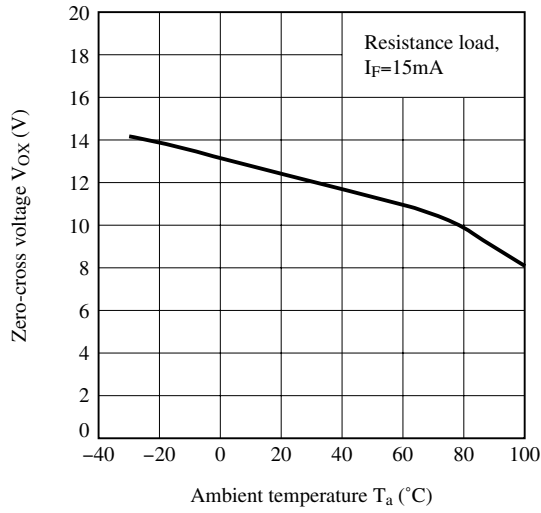


**Fig.9-b Turn-on Time vs. Forward Current (Rank C, Rank D)**

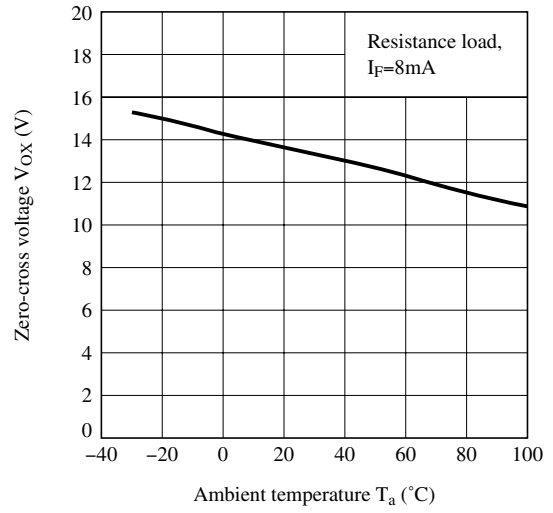




**Fig.10-a Zero-cross Voltage vs. Ambient Temperature (Rank B)**



**Fig.10-b Zero-cross Voltage vs. Ambient Temperature (Rank C, Rank D)**



Remarks : Please be aware that all data in the graph are just for reference.

■ **Design Considerations**

● **Design guide**

In order for the Phototriac to turn off, the triggering current ( $I_F$ ) must be 0.1mA or less.

Please refrain from using these devices in a direct drive configuration. These Phototriac Coupler are intended to be used as triggering device for main Triacs. Please ensure that the output rating of these devices will be sufficient for triggering the main output Triac of your choice. Failure to do may result in malfunctions.

For applications with inductive loads such as motors, please use caution in utilizing a zero crossing type Phototriac Coupler as this may cause undesired operations due to the phase difference between voltage and current of load.

For designs that will experience excessive noise or sudden changes in load voltage, please include an appropriate snubber circuit as shown in the below circuit. Please keep in mind the Sharp Phototriac Coupler incorporate superior dV/dt ratings which can eliminate the need for a snubber circuit.

For over voltage protection, a Varistor may be used.

● **Degradation**

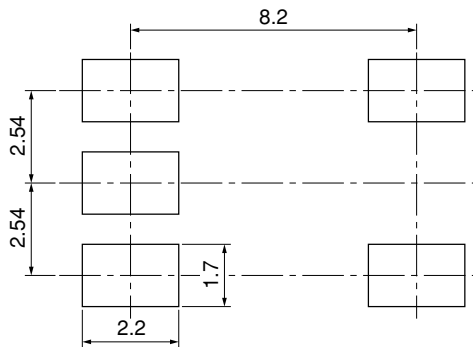
In general, the emission of the IRED used in Phototriac Couplers will degrade over time.

In the case where long term operation and / or constant extreme temperature fluctuations will be applied to the devices, please allow for a worst case scenario of 50% degradation over 5years.

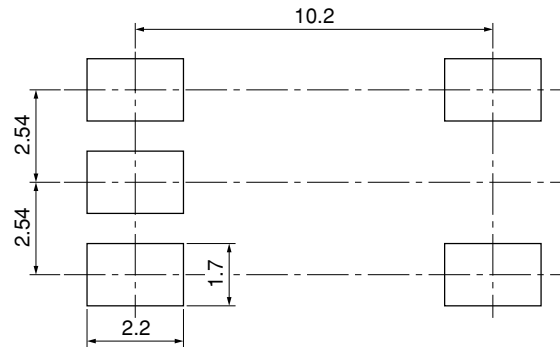
Therefore in order to maintain proper operation, a design implementing these Phototriac Couplers should provide at least twice the minimum required triggering current from initial operation.

● **Recommended Foot Print (reference)**

SMT Gullwing Lead-form

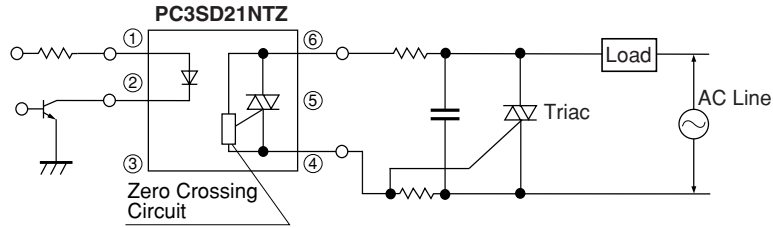


Wide SMT Gullwing Lead-form



(Unit : mm)

● **Standard Circuit (Medium/High Power Triac Drive Circuit)**



Note) Please add the snubber circuit according to a condition.  
 Any snubber or varistor used for the above mentioned scenarios should be located as close to the main output triac as possible.

## ■ Manufacturing Guidelines

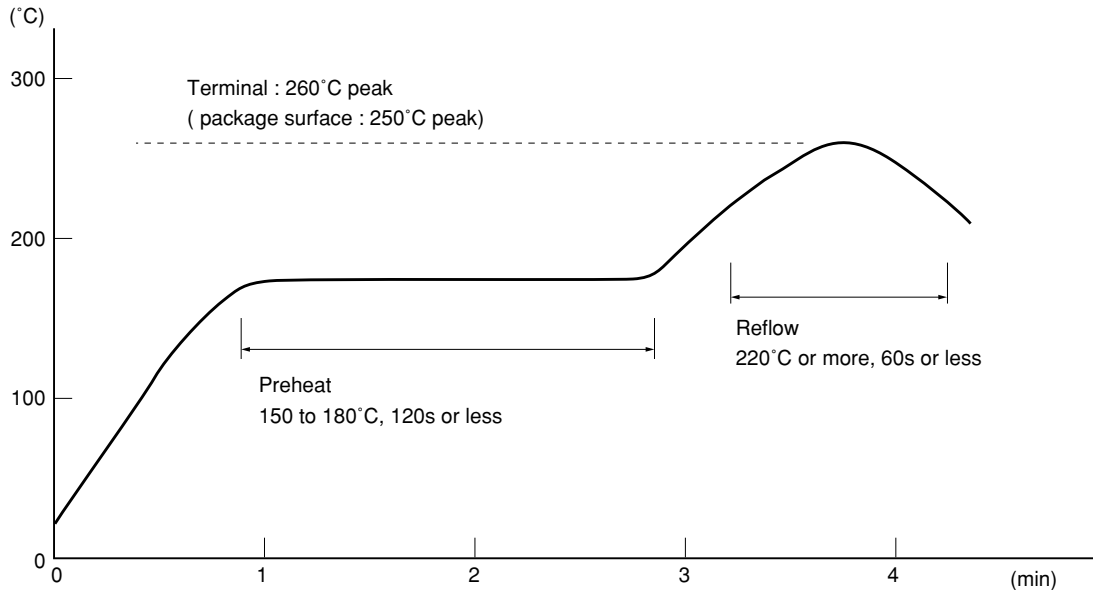
### ● Soldering Method

#### Reflow Soldering:

Reflow soldering should follow the temperature profile shown below.

Soldering should not exceed the curve of temperature profile and time.

Please don't solder more than twice.



#### Flow Soldering :

Due to SHARP's double transfer mold construction submersion in flow solder bath is allowed under the below listed guidelines.

Flow soldering should be completed below 270°C and within 10s.

Preheating is within the bounds of 100 to 150°C and 30 to 80s.

Please don't solder more than twice.

#### Hand soldering

Hand soldering should be completed within 3s when the point of solder iron is below 400°C.

Please don't solder more than twice.

#### Other notices

Please test the soldering method in actual condition and make sure the soldering works fine, since the impact on the junction between the device and PCB varies depending on the tooling and soldering conditions.

**● Cleaning instructions****Solvent cleaning :**

Solvent temperature should be 45°C or below. Immersion time should be 3minutes or less.

**Ultrasonic cleaning :**

The impact on the device varies depending on the size of the cleaning bath, ultrasonic output, cleaning time, size of PCB and mounting method of the device.

Therefore, please make sure the device withstands the ultrasonic cleaning in actual conditions in advance of mass production.

**Recommended solvent materials :**

Ethyl alcohol, Methyl alcohol and Isopropyl alcohol.

In case the other type of solvent materials are intended to be used, please make sure they work fine in actual using conditions since some materials may erode the packaging resin.

**● Presence of ODC**

This product shall not contain the following materials.

And they are not used in the production process for this device.

Regulation substances : CFCs, Halon, Carbon tetrachloride, 1.1.1-Trichloroethane (Methylchloroform)

Specific brominated flame retardants such as the PBBOs and PBBs are not used in this product at all.

■ **Package specification**

● **Sleeve package**

**1. Through-Hole or SMT Gullwing**

Package materials

Sleeve : HIPS (with anti-static material)

Stopper : Styrene-Elastomer

Package method

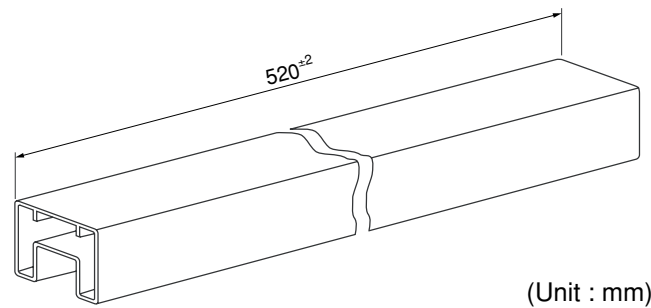
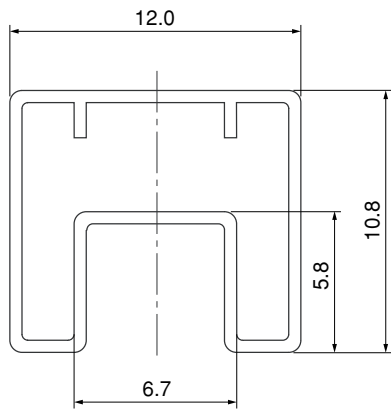
MAX. 50pcs of products shall be packaged in a sleeve.

Both ends shall be closed by tabbed and tabless stoppers.

The product shall be arranged in the sleeve with its anode mark on the tabless stopper side.

MAX. 20 sleeves in one case.

Sleeve outline dimensions



(Unit : mm)

**2. Wide Through-Hole or Wide SMT Gullwing**

Package materials

Sleeve : HIPS (with anti-static material)

Stopper : Styrene-Elastomer

Package method

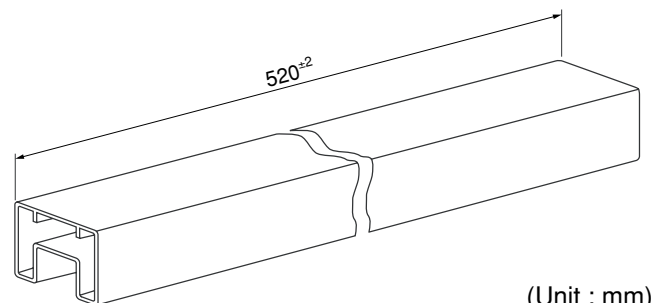
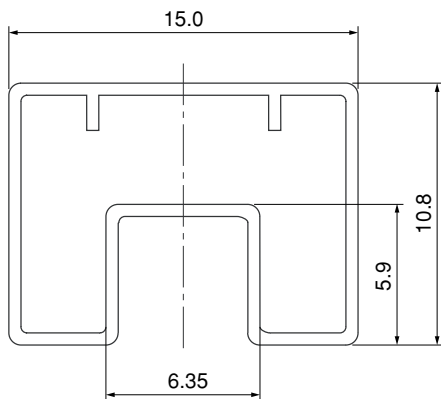
MAX. 50pcs of products shall be packaged in a sleeve.

Both ends shall be closed by tabbed and tabless stoppers.

The product shall be arranged in the sleeve with its anode mark on the tabless stopper side.

MAX. 20 sleeves in one case.

Sleeve outline dimensions



(Unit : mm)

● **Tape and Reel package**

**1. SMT Gullwing**

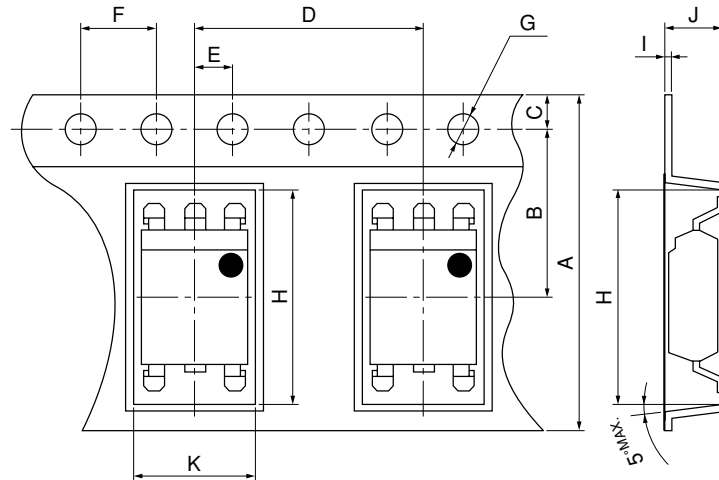
Package materials

Carrier tape : A-PET (with anti-static material)

Cover tape : PET (three layer system)

Reel : PS

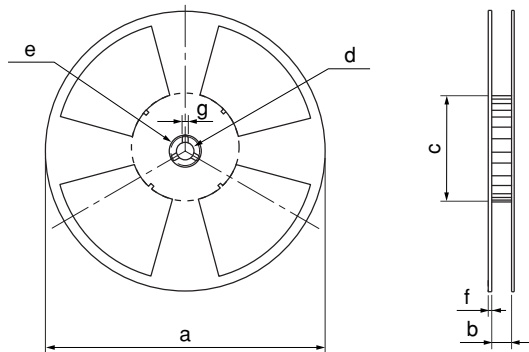
Carrier tape structure and Dimensions



Dimensions List (Unit:mm)

A	B	C	D	E	F	G
16.0 <sup>±0.3</sup>	7.5 <sup>±0.1</sup>	1.75 <sup>±0.1</sup>	12.0 <sup>±0.1</sup>	2.0 <sup>±0.1</sup>	4.0 <sup>±0.1</sup>	φ1.5 <sup>+0.1</sup> <sub>0</sub>
H	I	J	K			
10.4 <sup>±0.1</sup>	0.4 <sup>±0.05</sup>	4.2 <sup>±0.1</sup>	7.8 <sup>±0.1</sup>			

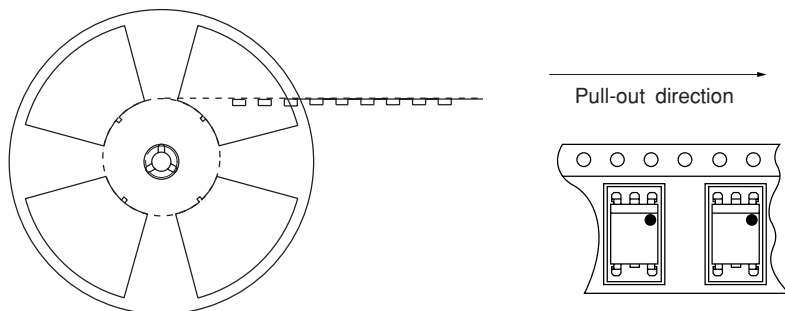
Reel structure and Dimensions



Dimensions List (Unit : mm)

a	b	c	d
330	17.5 <sup>±1.5</sup>	100 <sup>±1.0</sup>	13 <sup>±0.5</sup>
e	f	g	
23 <sup>±1.0</sup>	2.0 <sup>±0.5</sup>	2.0 <sup>±0.5</sup>	

Direction of product insertion



[Packing : 1 000pcs/reel]

**2. Wide SMT Gullwing**

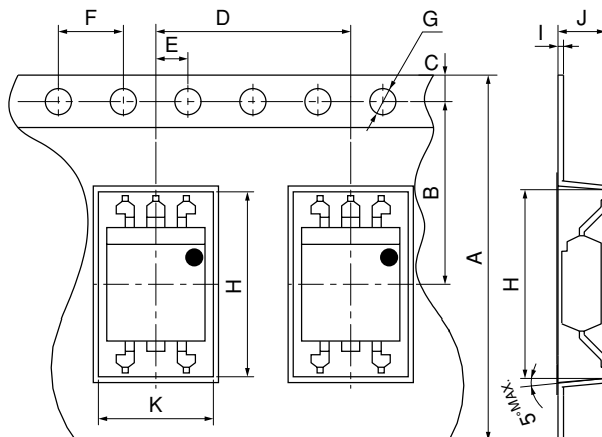
Package materials

Carrier tape : A-PET (with anti-static material)

Cover tape : PET (three layer system)

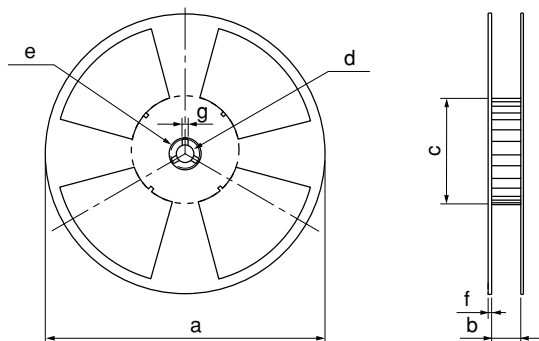
Reel : PS

Carrier tape structure and Dimensions



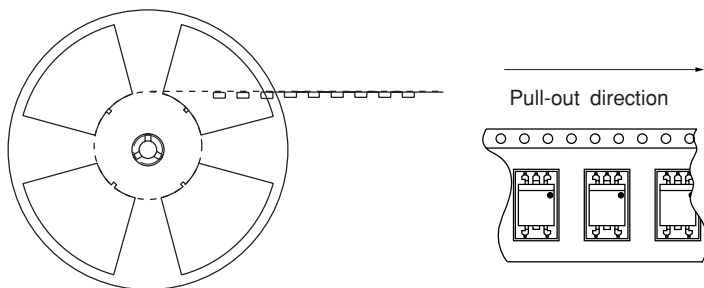
Dimensions List							(Unit : mm)
A	B	C	D	E	F	G	
24.0±0.3	11.5±0.1	1.75±0.1	12.0±0.1	2.0±0.1	4.0±0.1	φ1.5±0.1	
H	I	J	K				
12.2±0.1	0.4±0.05	4.15±0.1	7.6±0.1				

**Reel structure and Dimensions**



Dimensions List				(Unit : mm)
a	b	c	d	
330	25.5±1.5	100±1.0	13±0.5	
e	f	g		
23±1.0	2.0±0.5	2.0±0.5		

**Direction of product insertion**



[Packing : 1 000pcs/reel]



## ■ Important Notices

· The circuit application examples in this publication are provided to explain representative applications of SHARP devices and are not intended to guarantee any circuit design or license any intellectual property rights. SHARP takes no responsibility for any problems related to any intellectual property right of a third party resulting from the use of SHARP's devices.

· Contact SHARP in order to obtain the latest device specification sheets before using any SHARP device. SHARP reserves the right to make changes in the specifications, characteristics, data, materials, structure, and other contents described herein at any time without notice in order to improve design or reliability. Manufacturing locations are also subject to change without notice.

· Observe the following points when using any devices in this publication. SHARP takes no responsibility for damage caused by improper use of the devices which does not meet the conditions and absolute maximum ratings to be used specified in the relevant specification sheet nor meet the following conditions:

(i) The devices in this publication are designed for use in general electronic equipment designs such as:

- Personal computers
- Office automation equipment
- Telecommunication equipment [terminal]
- Test and measurement equipment
- Industrial control
- Audio visual equipment
- Consumer electronics

(ii) Measures such as fail-safe function and redundant design should be taken to ensure reliability and safety when SHARP devices are used for or in connection

with equipment that requires higher reliability such as:

- Transportation control and safety equipment (i.e., aircraft, trains, automobiles, etc.)
- Traffic signals
- Gas leakage sensor breakers
- Alarm equipment
- Various safety devices, etc.

(iii) SHARP devices shall not be used for or in connection with equipment that requires an extremely high level of reliability and safety such as:

- Space applications
- Telecommunication equipment [trunk lines]
- Nuclear power control equipment
- Medical and other life support equipment (e.g., scuba).

· If the SHARP devices listed in this publication fall within the scope of strategic products described in the Foreign Exchange and Foreign Trade Law of Japan, it is necessary to obtain approval to export such SHARP devices.

· This publication is the proprietary product of SHARP and is copyrighted, with all rights reserved. Under the copyright laws, no part of this publication may be reproduced or transmitted in any form or by any means, electronic or mechanical, for any purpose, in whole or in part, without the express written permission of SHARP. Express written permission is also required before any use of this publication may be made by a third party.

· Contact and consult with a SHARP representative if there are any questions about the contents of this publication.