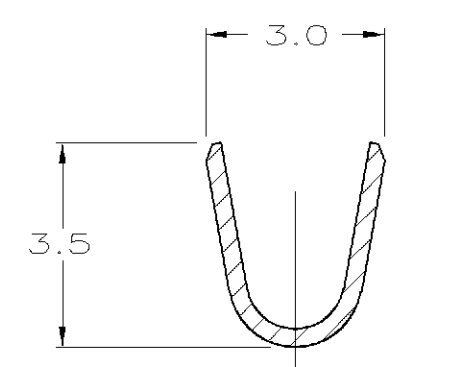
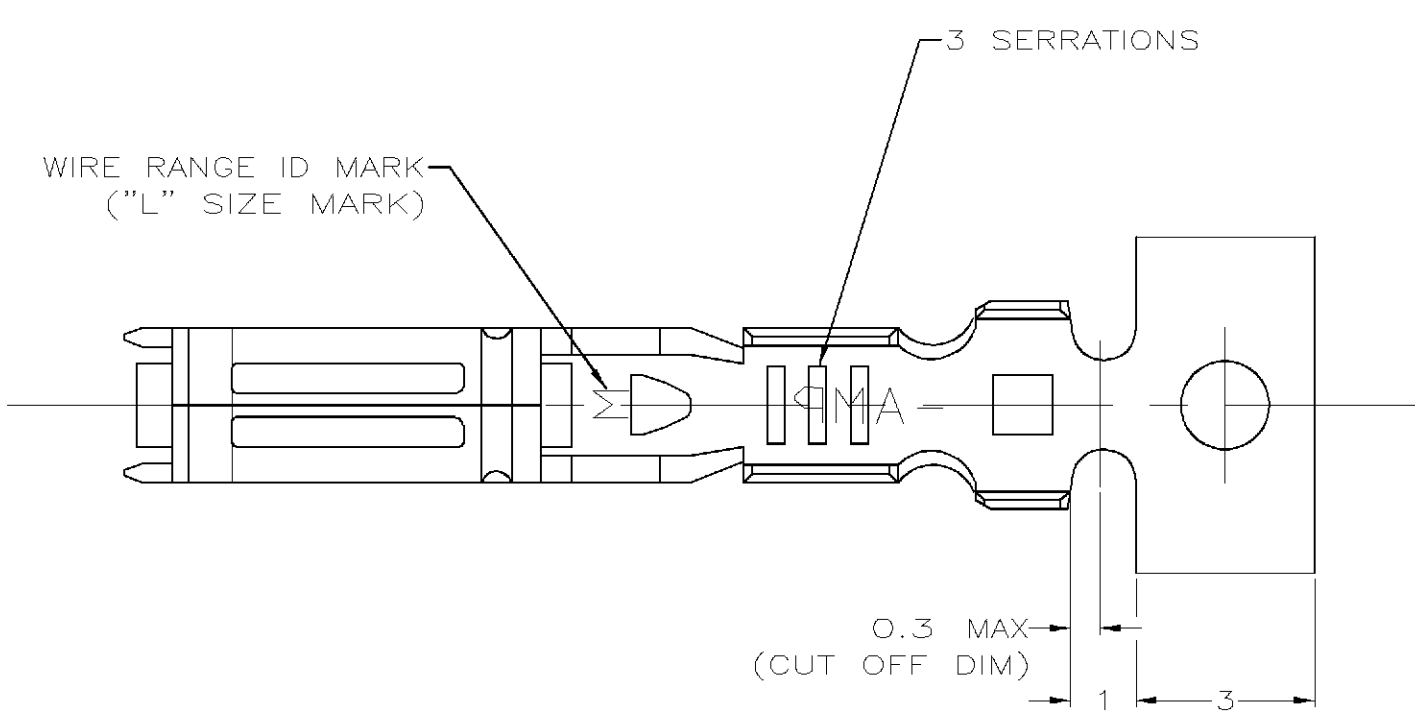
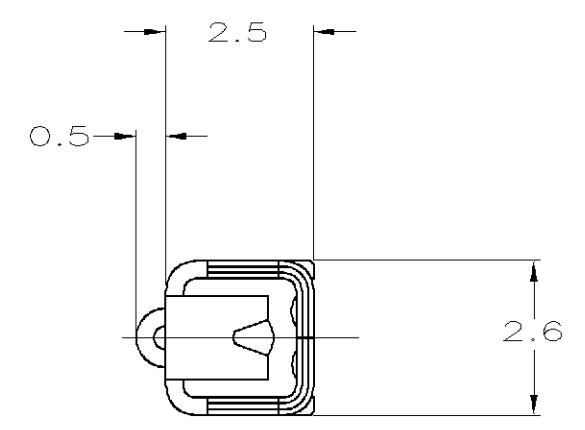


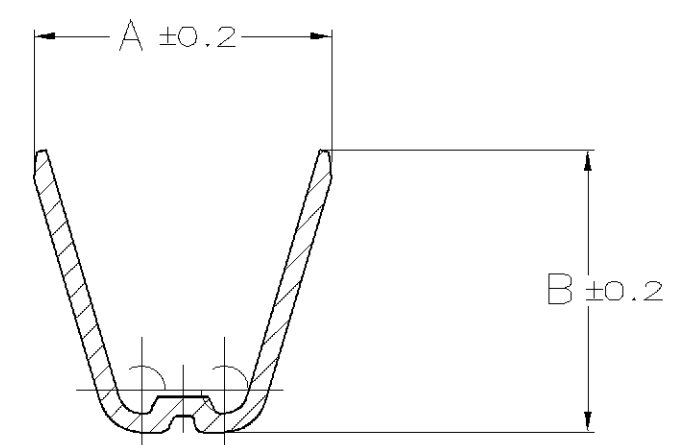
THIS DRAWING IS UNPUBLISHED. RELEASED FOR PUBLICATION  
 © COPYRIGHT BY TYCO ELECTRONICS CORPORATION. ALL RIGHTS RESERVED.

LOC	DIST	REVISIONS					
FX	00	P	LTR	DESCRIPTION	DATE	DWN	APVD
		E		OK80-0216-01	10OCT2001	JRB	SSA

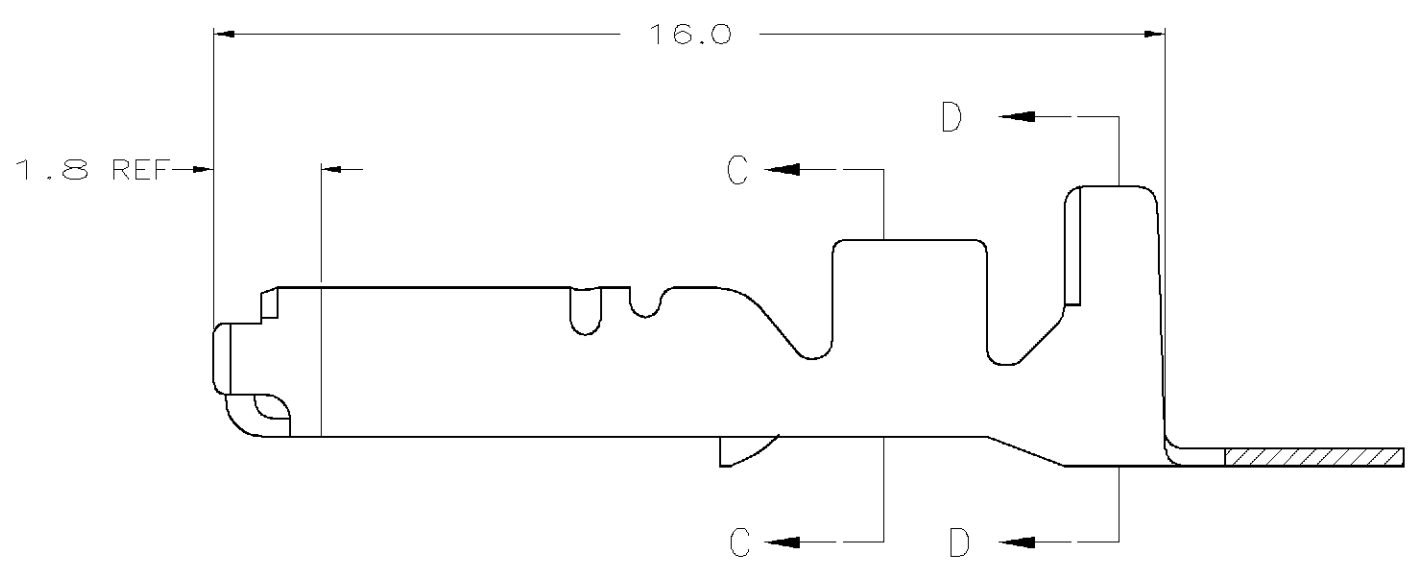
⚠ 776129-2 FOR USE WITH ULTRA THIN WALL WIRE INSULATION  
 2.39 MM OD MAX.



SECTION C-C



SECTION D-D



M	2.20/2.70	20-16	4.7	5.0	776129-6
L	2.20/2.39	14	4.2	4.4	⚠ 776129-2
WIRE RANGE ID MARK	INSULATION RANGE	WIRE AWG	B	A	PART NUMBER

THIS DRAWING IS A CONTROLLED DOCUMENT.

DWN	P. YEAGER	23OCT2001	<b>tyco</b> Electronics	Tyco Electronics Corporation Harrisburg, PA 17105-3608	
CHK	M. SHORE	8-27-96		NAME	.070 SERIES RECEPTACLE CONTACT
APVD	M. SHORE	8-27-96	PRODUCT SPEC	108-5280	
			APPLICATION SPEC	114-5091	
MATERIAL	COPPER	FINISH	TIN	SIZE	A2
				CAGE CODE	00779
				DRAWING NO	C-776129
				RESTRICTED TO	-
CUSTOMER DRAWINGS			SCALE	10:1	SHEET 1 OF 1
					REV E